

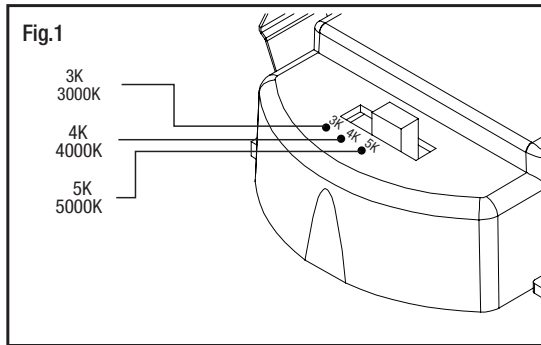
Part	Description	Quantity
AA	5 in. fixture	1
BB	Mounting bracket	1
CC	4 in. mounting clip spring	3
DD	4 in. mounting clip spring screws	3
EE	J-Box mounting screws	2
FF	Wire connectors	3

1 Turning Off the Power

- Turn the power OFF at the switch and fuse box or the circuit breaker.

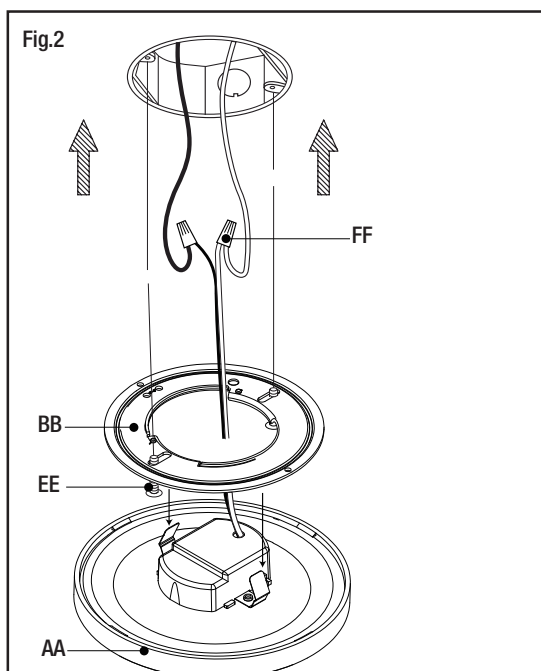
2 Choosing a color temperature before installing

- Use the slide switch to choose a color temperature before installing.



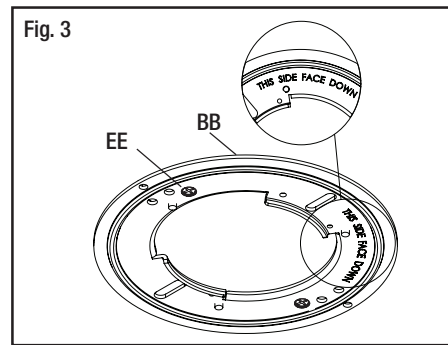
3 Connecting the wires

- Identify the wiring: (Black - line voltage, White - neutral)
- Connect the stripped wires to the two wires coming from the J-box: Black - line voltage to Black, White - neutral to White, using wire connectors provided (FF).



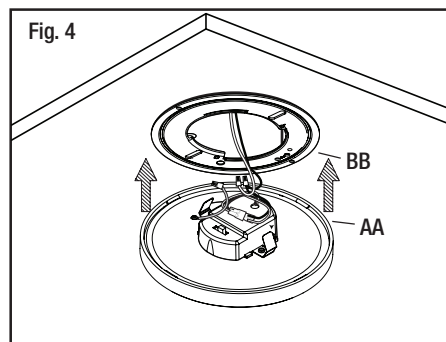
4 Installing the mounting bracket to the junction box

- Install the mounting bracket (BB) to the J-box by inserting the two mounting screws (EE) through the slots in mounting bracket (BB).
- Make sure the mounting bracket (BB) is installed with the label facing downwards. (Fig. 3)



5 Installing the fixture to the mounting bracket

- Secure the fixture (AA) to the mounting bracket (BB) by pressing the fixture into the mounting bracket until the clips on the fixture engage together. Make sure the fixture is firmly locked into place. (Fig. 4)



6 Optional

